

**Spare parts list**  
**(5.971-134.0) Spare parts list K3.440 (TANK)**

## Table of contents

---

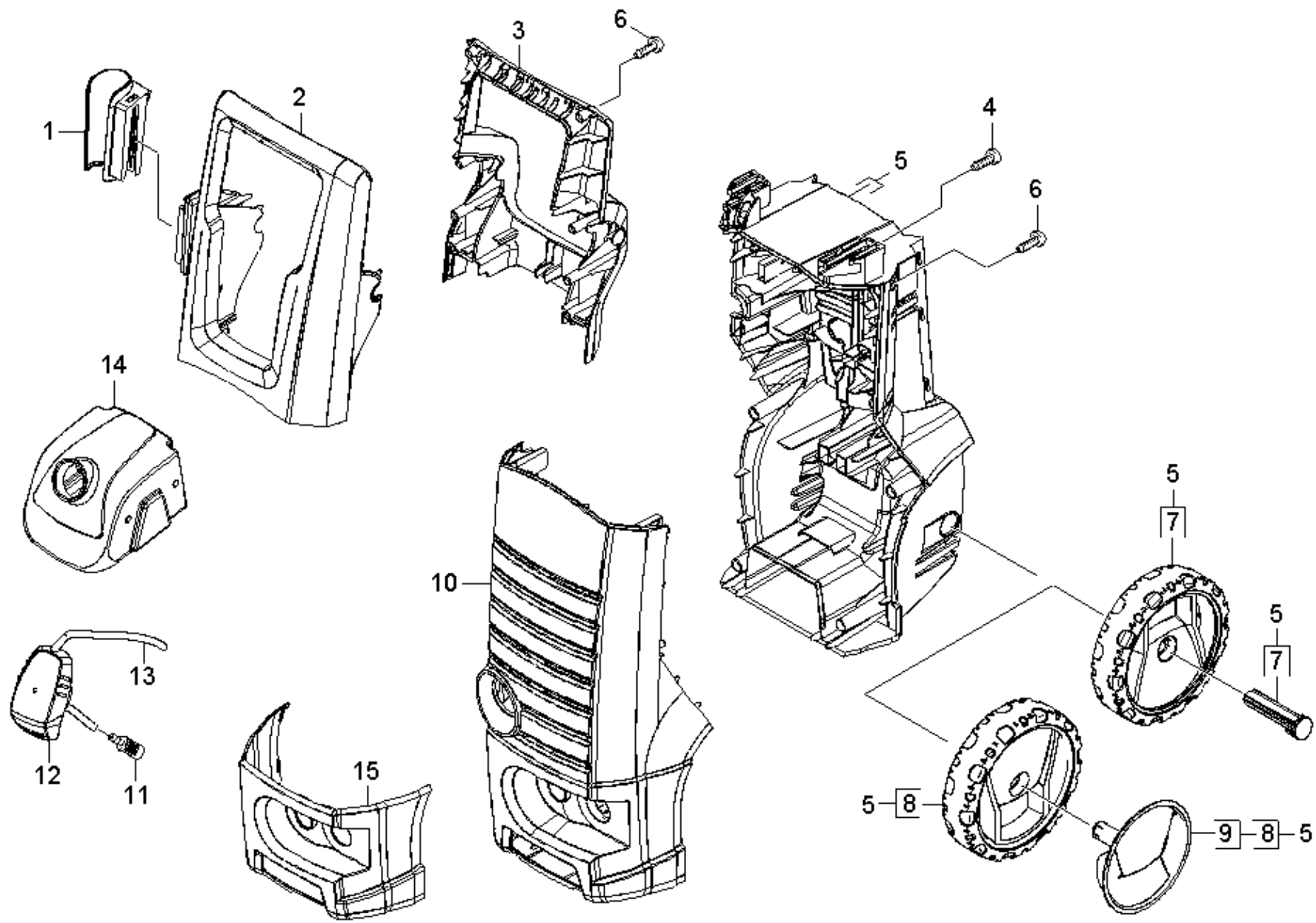
<b>Spare parts list K3.440 (TANK) (5.971-134.0)</b> .....	6
10 Housing.....	7
20 Pump set.....	9
21 Housing.....	10
22 Housing.....	12
23 Thrust guidance.....	14
30 Motor.....	16
40 Accessories.....	18
41 Hand trigger gun.....	19
0 G 160 Q pistol Quick Connect (2.642-172.0).....	21
42 Hand trigger gun.....	23
0 G 160 Q pistol Quick Connect (2.642-172.0).....	25
43 Jet pipe.....	27
2 Dirt blaster K2 0295 St (4.764-244.0).....	29
44 Surface cleaner.....	31
1 Single-step jet pipe extension (2.643-240.0).....	33
45 Surface cleaner.....	35
1 Single-step jet pipe extension (2.643-240.0).....	37
50 Electric box.....	39

**Spare parts list K3.440 (TANK) (5.971-134.0)**

---

<b>Pos</b>	<b>Name</b>	<b>Qty.</b>	<b>Unit</b>
10	Housing	1.000	ST
20	Pump set	1.000	ST
30	Motor	1.000	ST
40	Accessories	1.000	ST
50	Electric box	1.000	ST

---



## 10 Housing

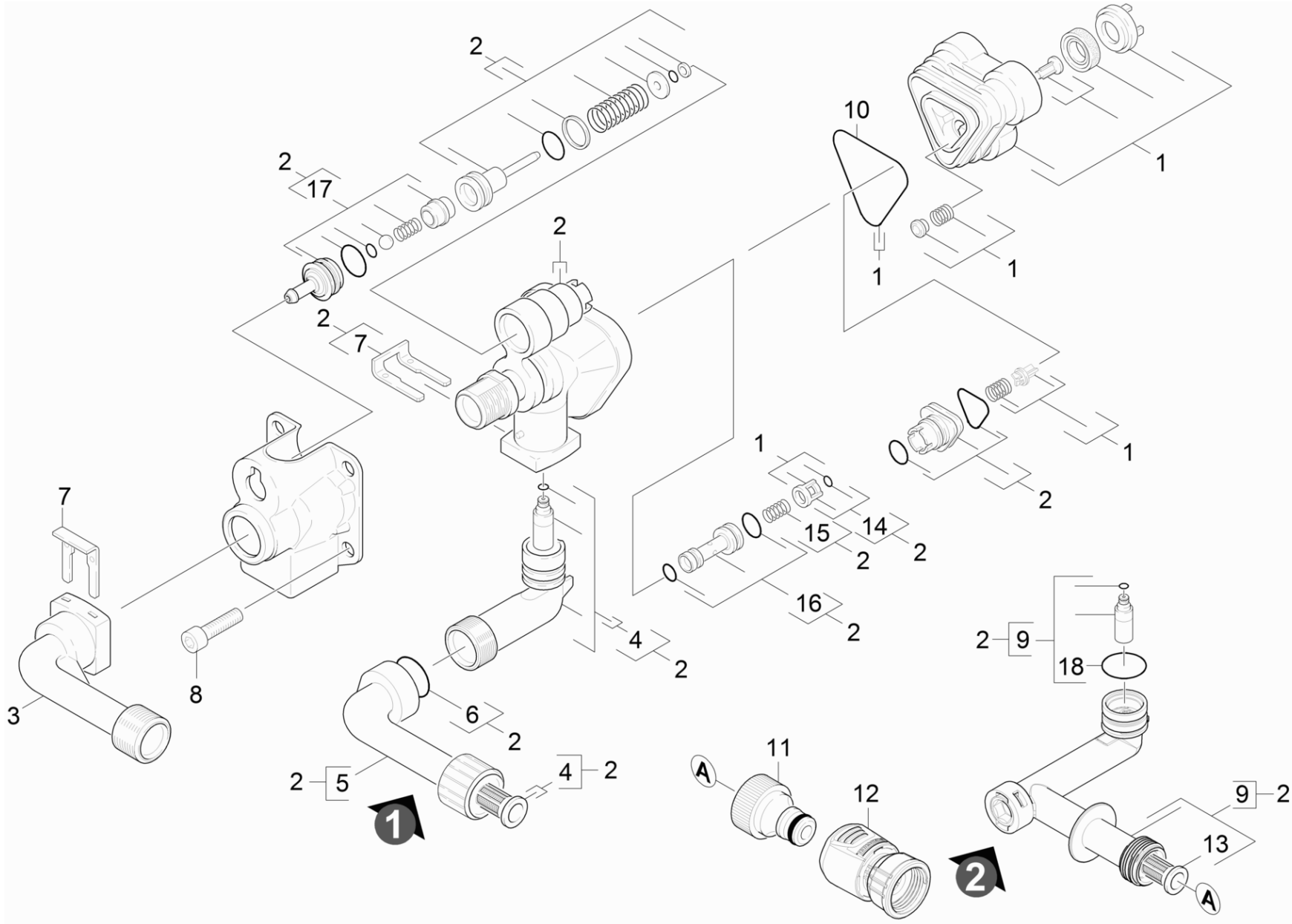
ET/VT (spare/wear parts)	Pos	Material #	Name	Qty.	Unit	Footnote text
	1	5.321-904.0	Holder pistol	1.000	ST	
	2	9.760-634.0	Hand grip front K 5 Fam	1.000	ST	
	3	9.760-637.0	Hand grip rear tank K 5 Fam	1.000	ST	
	4	9.086-182.0	Screw	2.000	ST	
	5	9.755-070.0	Chassis rear complete K5 Fam	1.000	ST	
X-X	6	9.086-173.0	Screw Hi-Lo d.4x22 Torx-d.7,5	8.000	ST	
	7	9.755-146.0	Wheel set with orifice replacement (D200	1.000	ST	SET OF 2 PIECES
Position text: 1.601-760.0 /-770.0 /-771.0 /-776.0						
	8	9.755-146.0	Wheel set with orifice replacement (D200	1.000	ST	SET OF 2 PIECES
Position text: 1.601-773.0 /-800.0 /-900.0						
	9	9.760-521.0	Wheel cap yellow D 200	2.000	ST	
Position text: 1.601-773.0 /-800.0 /-900.0						
	10	9.755-163.0	Cover front replacement K5 Fam without h	1.000	ST	
X	11	5.731-652.0	Filter with weight	1.000	ST	
	12	9.048-080.0	Cap of a tank	1.000	ST	
	13	6.388-216.0	Hose DN 5	1.000	M	TO ORDER AS CUT GOODS
	14	9.760-519.0	Tank cleaning agents K X.47M / K 5 Fam	1.000	ST	
	15	9.760-633.0	Bumper K 5 Fam	1.000	ST	
Position text: 1.601-800.0 /-900.0						

## 20 Pump set

---

Pos	Name	Qty.	Unit
21	Housing	1.000	ST
Position text: 1.601-760.0 /-770.0 /-771.0 /1.601-776.0 (1800 psi)			
22	Housing	1.000	ST
Position text: 1.601-800.0 /-900.0 /1.601-776.0 (2000 psi)			
23	Thrust guidance	1.000	ST

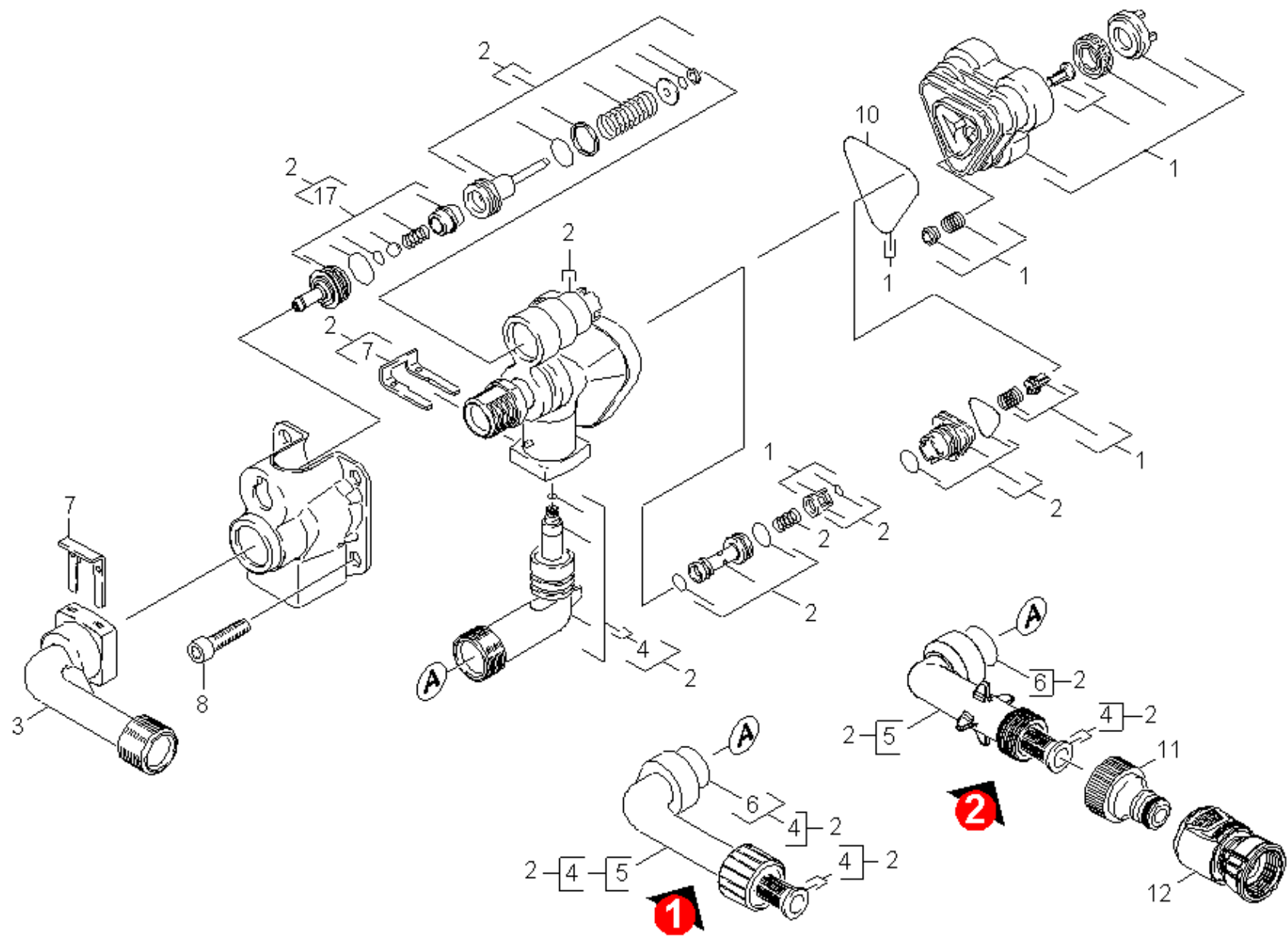
---



## 21 Housing

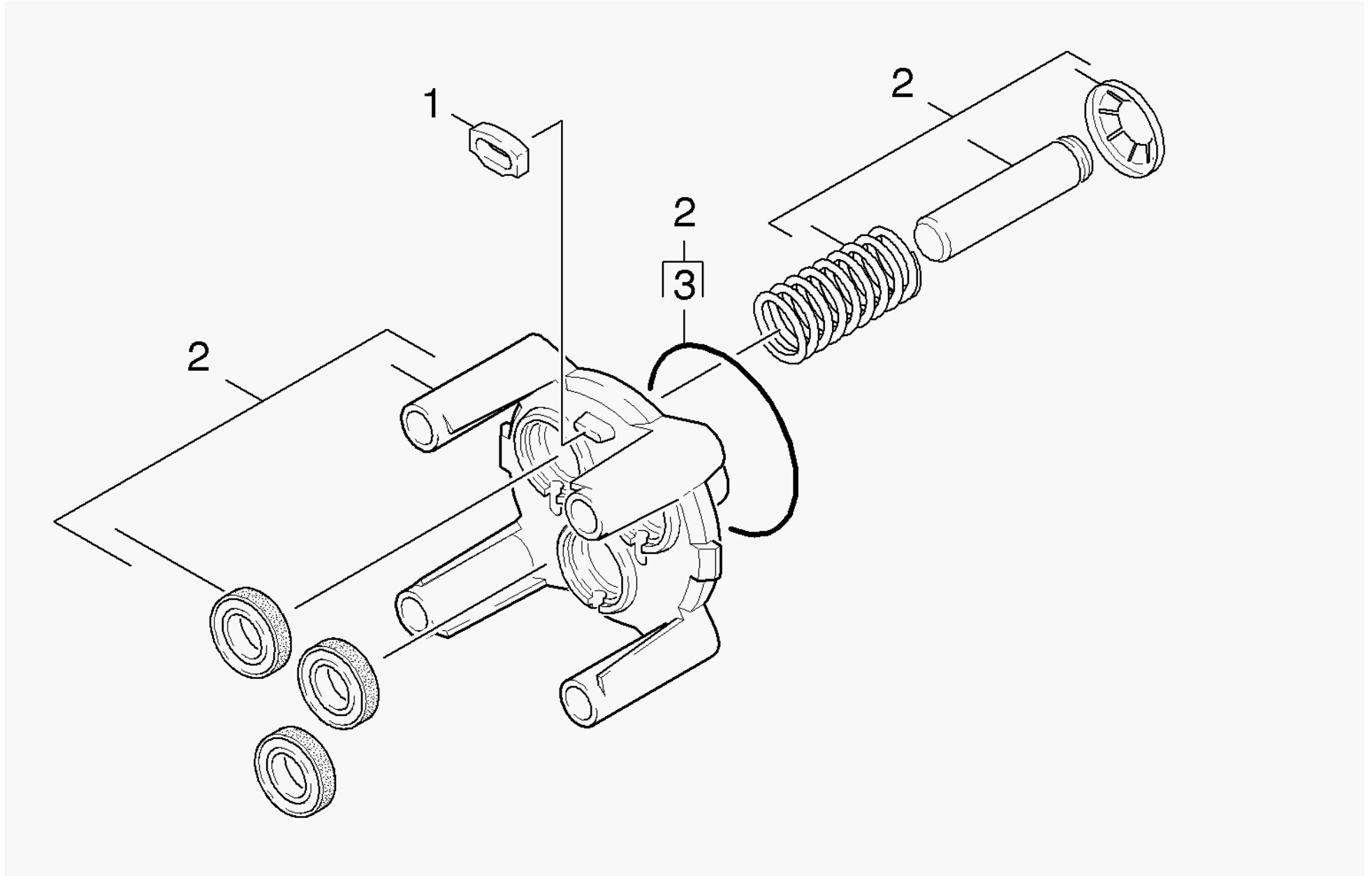
ET/VT (spare/wear parts)	Pos	Material #	Name	Qty.	Unit	Footnote text
X-X	1	9.755-020.0	H.P. head complete Spare Part	1.000	ST	
X-X	2	9.755-144.0	Housing complete replacement KX.65	1.000	ST	VERSION 2
Position text: 1.601-773.0 /-770.0						
	2	9.755-016.0	Housing complete replacement K5-Fam.(180	1.000	ST	VERSION 1
Position text: 1.601-760.0 /-770.0 /-771.0 /1.601-776.0 (1800 psi)						
X-X	3	9.036-703.0	Connection delivery side	1.000	ST	
X-X	4	9.001-375.0	Spare parts set suction connection	1.000	ST	
	5	9.755-078.0	Suction connection complete replacement	1.000	ST	VERSION 1
Position text: 1.601-760.0 /-770.0 /-771.0 /1.601-776.0 (1800 psi)						
	6	9.081-420.0	O-Ring d.17,86x2,62	1.000	ST	
	7	9.039-148.0	Metal fork	2.000	ST	
	8	9.086-200.0	Screw M 8x55 Class 8.8	4.000	ST	
	9	9.755-217.0	Suction connection complete replacement	1.000	ST	VERSION 2
Position text: 1.601-770.0 /-773.0						
X-X	10	9.081-422.0	Form seal	1.000	ST	
X-X	11	6.465-031.0	Connection 3/4	1.000	ST	
	12	4.645-365.0	Coupler with label complete	1.000	ST	
	13	9.755-280.0	Fine filter spare part	1.000	ST	
	14	9.001-107.0	Cage complete	1.000	ST	
	15	9.047-026.0	Spring	1.000	ST	
	16	9.001-108.0	Injector complete	1.000	ST	
	17	9.755-183.0	Nipple chemistry spare part - straight	1.000	ST	
	18	9.755-279.0	O-Ring seal d.20,5x2,2 NBR 7 spare part	1.000	ST	





## 22 Housing

ET/VT (spare/wear parts)	Pos	Material #	Name	Qty.	Unit	Footnote text
X-X	1	9.755-020.0	H.P. head complete Spare Part	1.000	ST	
	2	9.755-012.0	Housing complete replacement 2000 PSI	1.000	ST	VERSION 2
Position text: 1.601-776.0						
	2	9.755-068.0	Housing complete replacement 2000 PSI	1.000	ST	VERSION 1
Position text: 1.601-800.0 /-900.01.601-776.0 (2000 psi)						
	3	9.755-081.0	Connection delivery side replacement K3	1.000	ST	
Position text: 1.601-900.0						
X-X	3	9.036-703.0	Connection delivery side	1.000	ST	
Position text: 1.601-800.01.601-776.0 (2000 psi)						
X-X	4	9.001-375.0	Spare parts set suction connection	1.000	ST	
X-X	5	9.755-199.0	Suction connection complete replacement	1.000	ST	VERSION 2
Position text: 1.601-776.0						
	5	9.755-078.0	Suction connection complete replacement	1.000	ST	VERSION 1
	6	9.081-420.0	O-Ring d.17,86x2,62	1.000	ST	
	7	9.039-148.0	Metal fork	2.000	ST	
	8	9.086-200.0	Screw M 8x55 Class 8.8	4.000	ST	
X-X	9	6.362-151.0	O-Ring d. 10 x 2 NBR 70	1.000	ST	
X-X	10	9.081-422.0	Form seal	1.000	ST	
X-X	11	6.465-031.0	Connection 3/4	1.000	ST	
	12	4.645-365.0	Coupler with label complete	1.000	ST	
	17	9.755-183.0	Nipple chemistry spare part - straight	1.000	ST	

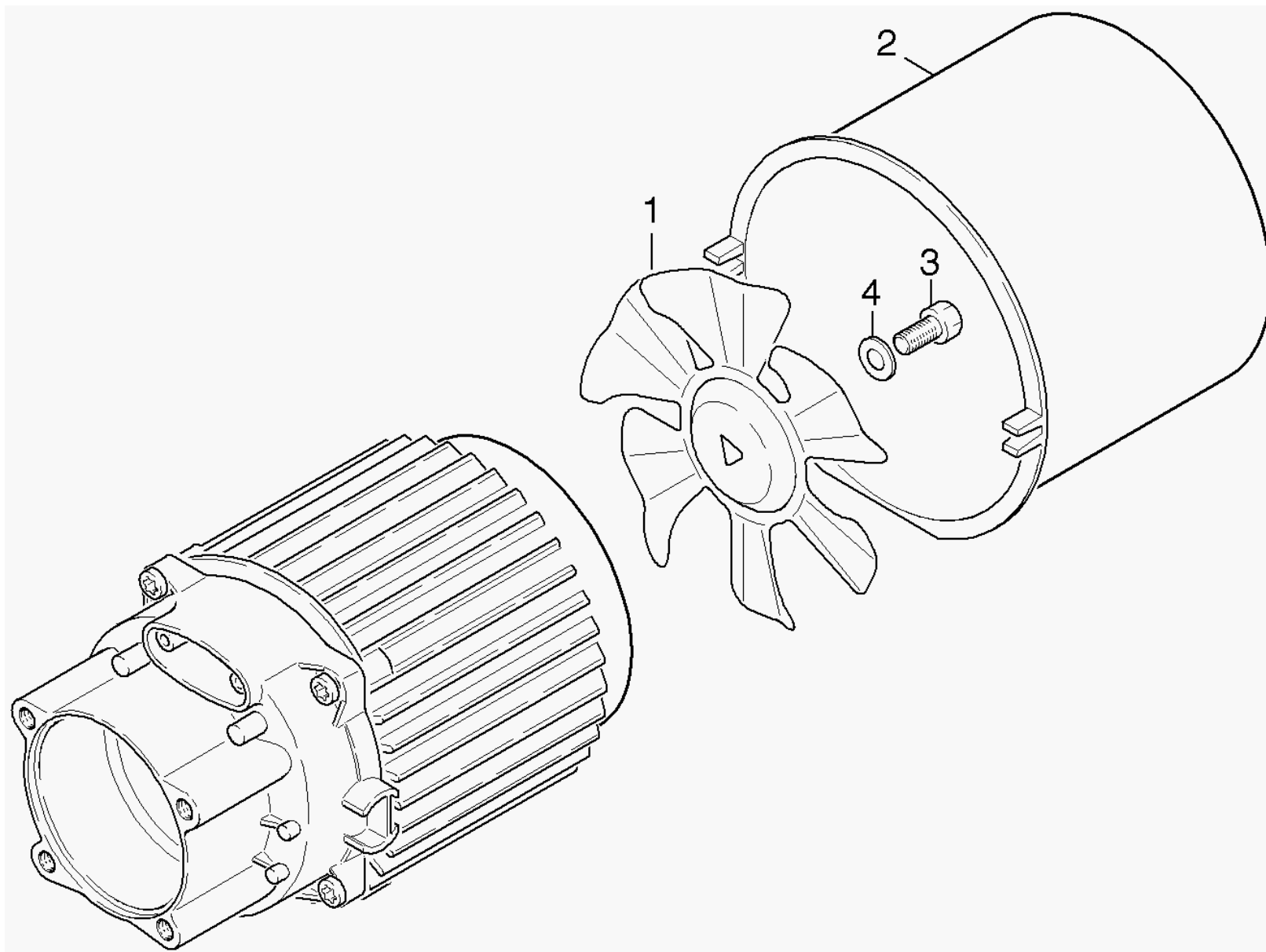


### 23 Thrust guidance

---

Pos	Material #	Name	Qty.	Unit
1	9.048-071.0	Spacer - Seal	1.000	ST
2	9.012-496.0	Thrust guidance complete PA (EX-141)	1.000	ST
3	6.362-826.0	O-Ring seal 61,6x2,62	1.000	ST

---



### 30 Motor

---

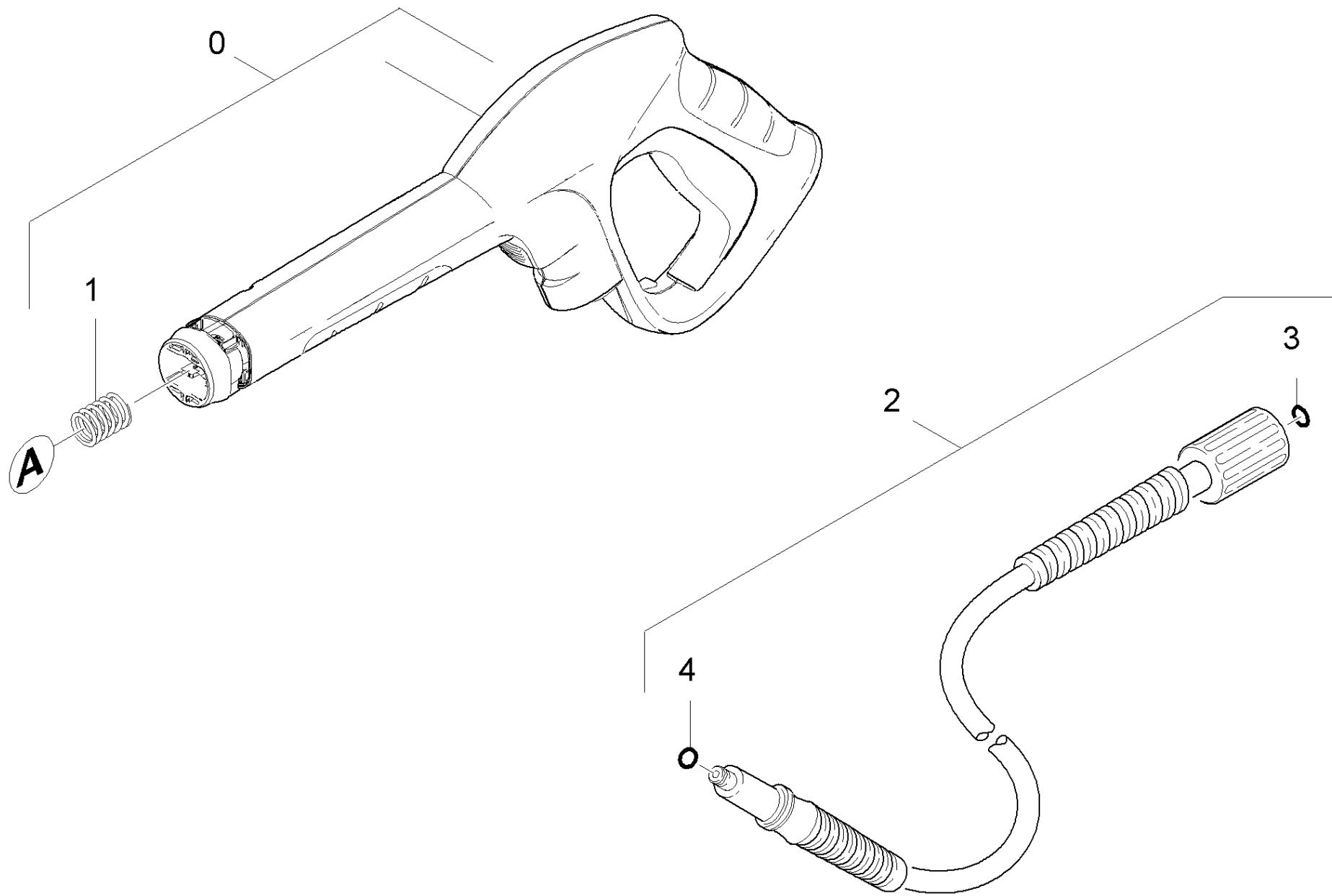
Pos	Material #	Name	Qty.	Unit
1	9.039-188.0	Blower wheel	1.000	ST
2	9.755-166.0	Covering cap blower wheel grey	1.000	ST
3	7.304-395.0	Hexagonal head screw M8x16-8.8-A2E ISO	1.000	ST
4	7.312-233.0	Serrated lock washer A8,4-FSt-A3E DIN67	1.000	ST

## 40 Accessories

---

Pos	Name	Qty.	Unit	var. information	Footnote text
41	Hand trigger gun	1.000	ST		VERSION 1
42	Hand trigger gun	1.000	ST		VERSION 2
43	Jet pipe	1.000	ST		
44	Surface cleaner	1.000	ST	T 200	
45	Surface cleaner	1.000	ST	T 250	

---





#### 41 Hand trigger gun

---

ET/VT (spare/wear parts)	Pos	Material #	Name	Qty.	Unit
X-X	0	2.642-172.0	G 160 Q pistol Quick Connect	1.000	ST
	1	5.332-464.0	Pressure spring	1.000	ST
X-X	2	2.641-706.0	High pressure hose 16MPa/9m 60°C, verp.	1.000	ST
X-X	3	2.880-990.0	Spare part set O-Ring 5x -Kaercher	2.000	ST
X-X	4	6.363-410.0	O-Ring seal 5,7x1,78 NBR 90Shore	1.000	ST

---

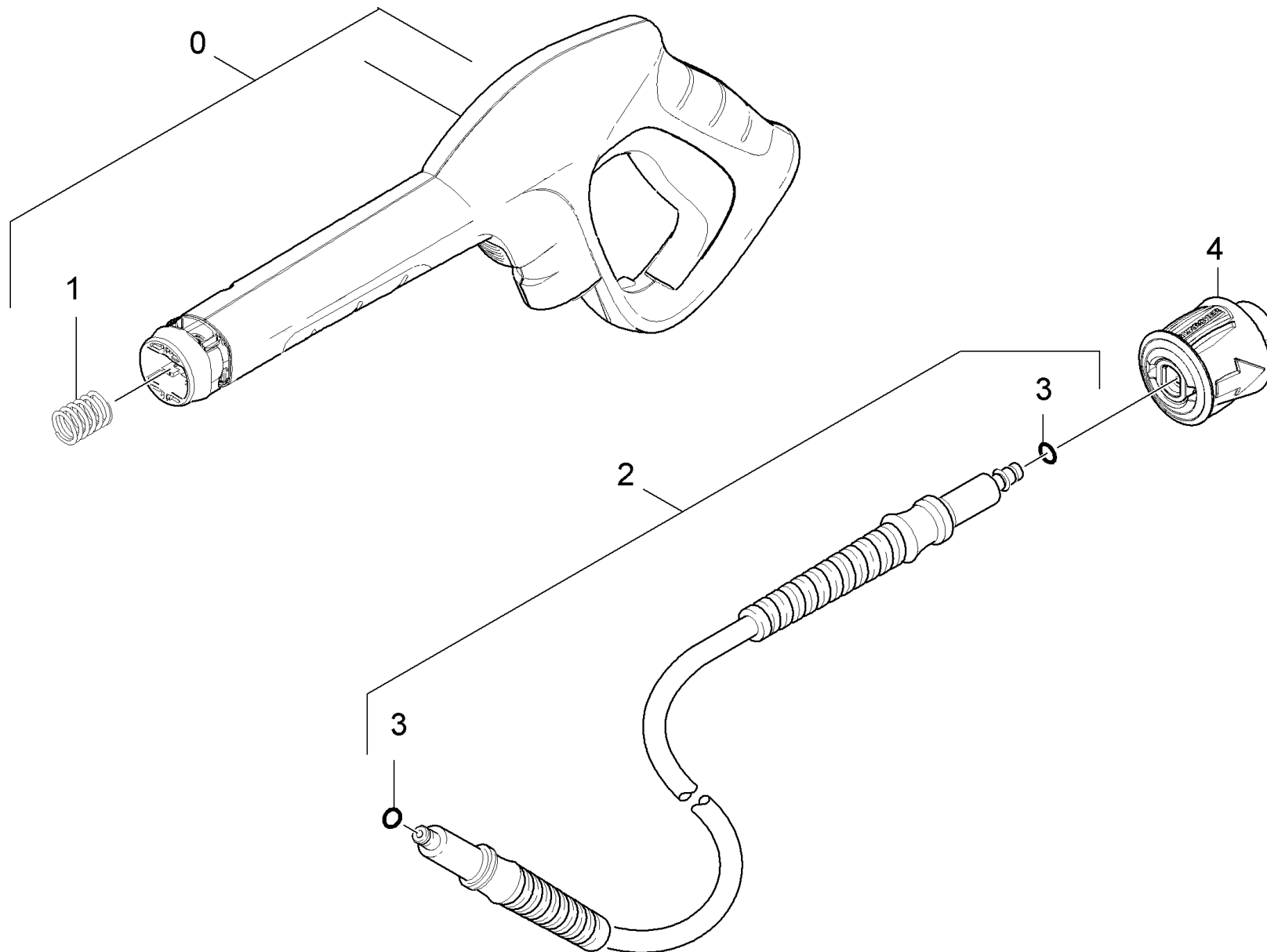


**0 G 160 Q pistol Quick Connect (2.642-172.0)**

---

<b>Pos</b>	<b>Material #</b>	<b>Name</b>	<b>Qty.</b>	<b>Unit</b>
1	5.332-464.0	Pressure spring	1.000	ST

---



## 42 Hand trigger gun

ET/VT (spare/wear parts)	Pos	Material #	Name	Qty.	Unit
X-X	0	2.642-172.0	G 160 Q pistol Quick Connect	1.000	ST
	1	5.332-464.0	Pressure spring	1.000	ST
	2	6.392-966.0	High pressure hose 12MPa/10 40°C QC B	1.000	ST
X-X	3	6.363-410.0	O-Ring seal 5,7x1,78 NBR 90Shore	2.000	ST
X-X	4	4.470-041.0	High pressure quick-fitting pipe union A	1.000	ST

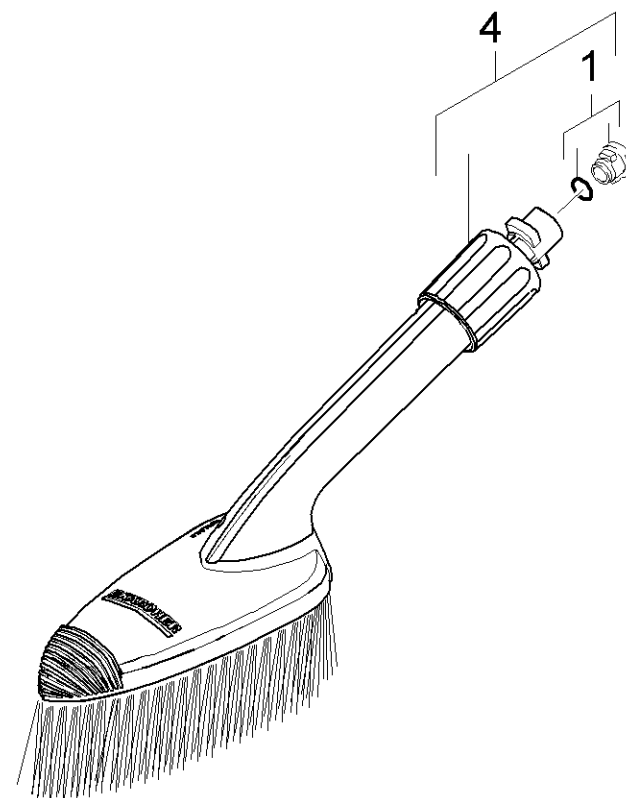
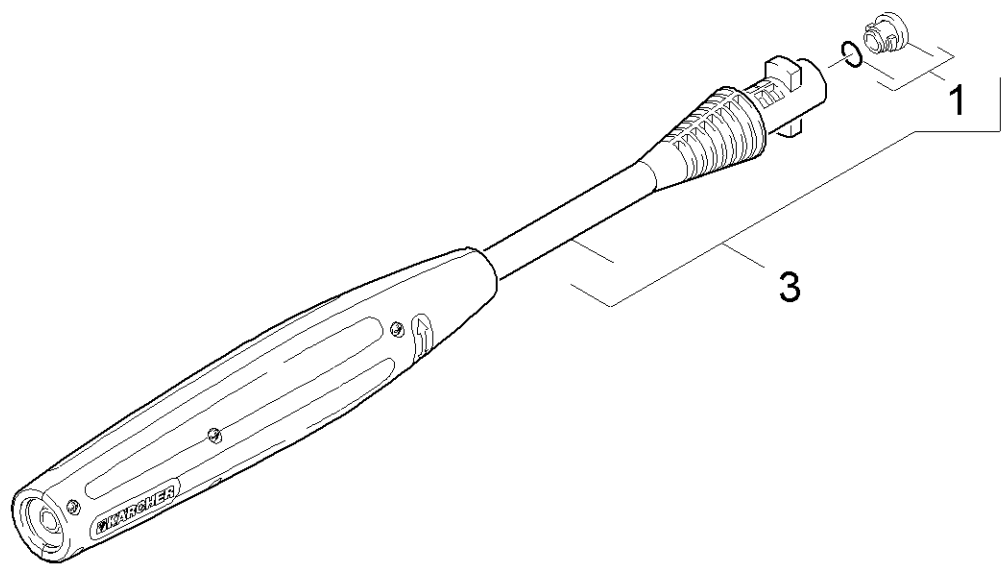
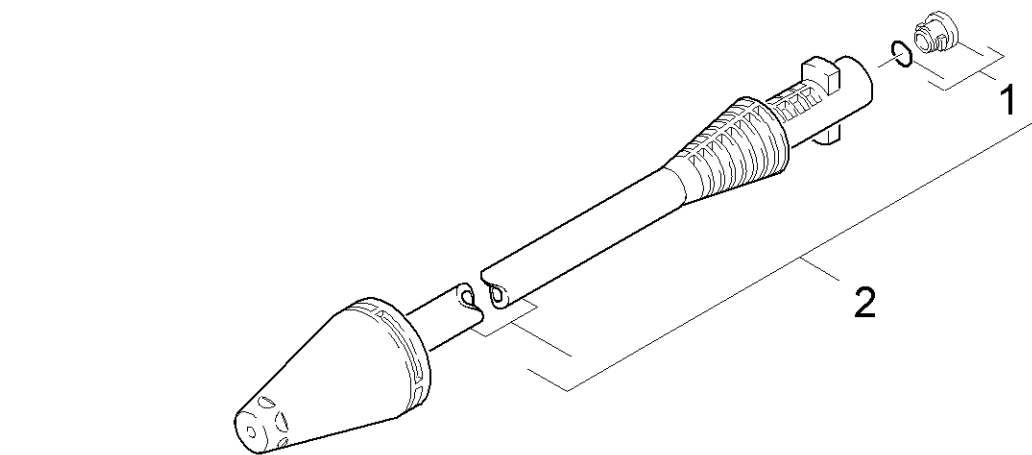


**0 G 160 Q pistol Quick Connect (2.642-172.0)**

---

<b>Pos</b>	<b>Material #</b>	<b>Name</b>	<b>Qty.</b>	<b>Unit</b>
1	5.332-464.0	Pressure spring	1.000	ST

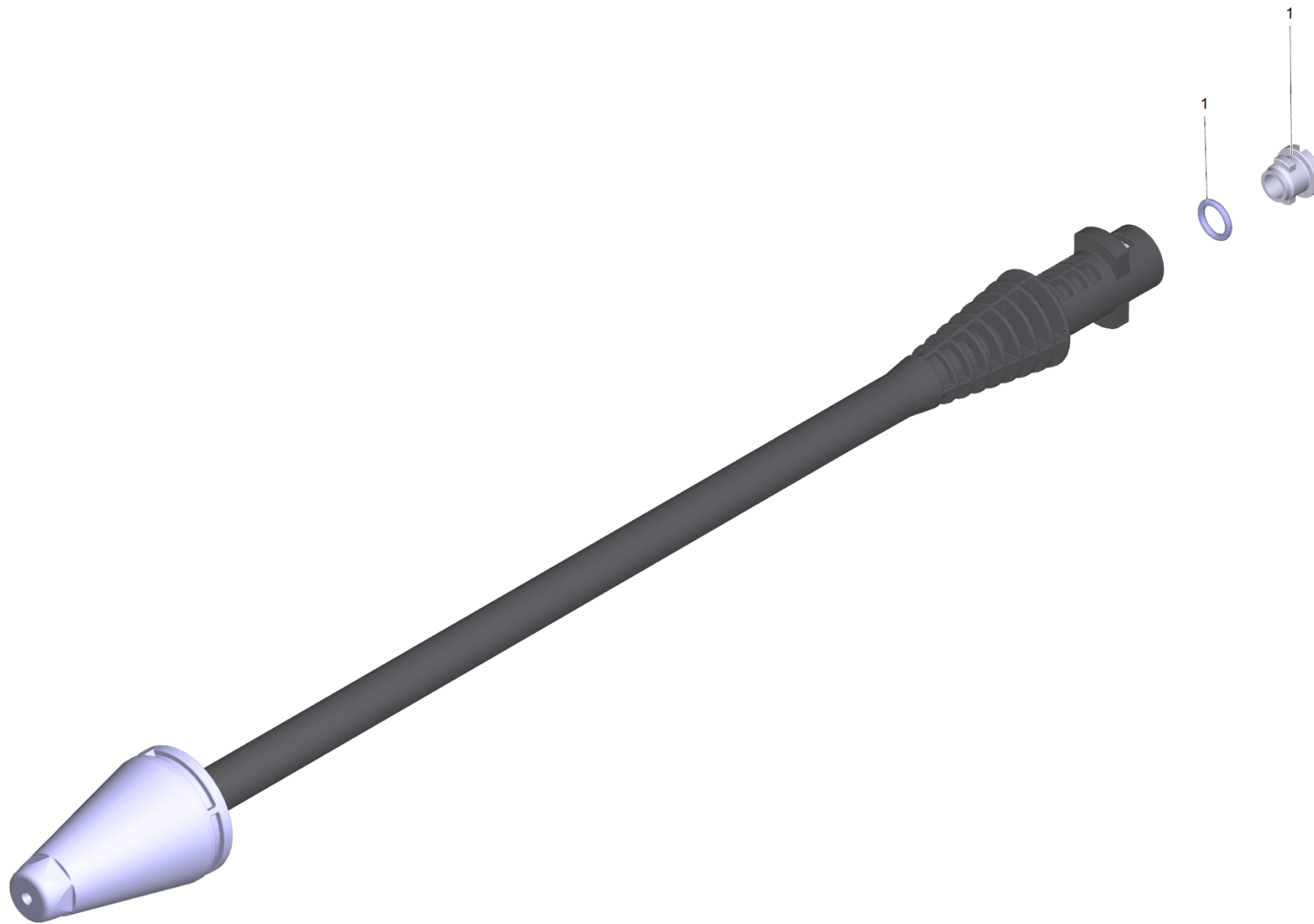
---





### 43 Jet pipe

ET/VT (spare/wear parts)	Pos	Material #	Name	Qty.	Unit
X-X	1	2.640-729.0	O-Ring seal set	1.000	ST
	2	4.764-244.0	Dirt blaster K2 0295 St	1.000	ST
Position text: 1.601-773.0					
X	2	9.750-674.0	Dirt blaster 024 CEN-St (14MPa)	1.000	ST
Position text: 1.601-760.0 /-770.0 /-771.0 /-800.0/-900.0					
X-X	2	4.764-243.0	Dirt blaster K2 027 St	1.000	ST
Position text: 1.601-776.0					
	3	4.760-623.0	VPS K3 021K	1.000	ST
Position text: 1.601-776.0 /-770.0 /-800.0 /-900.0					
X-X	3	4.760-534.0	VPS K3 0287 K	1.000	ST
Position text: 1.601-760.0 /-773.0					
X-X	4	2.640-589.0	Brush lengthwise	1.000	ST

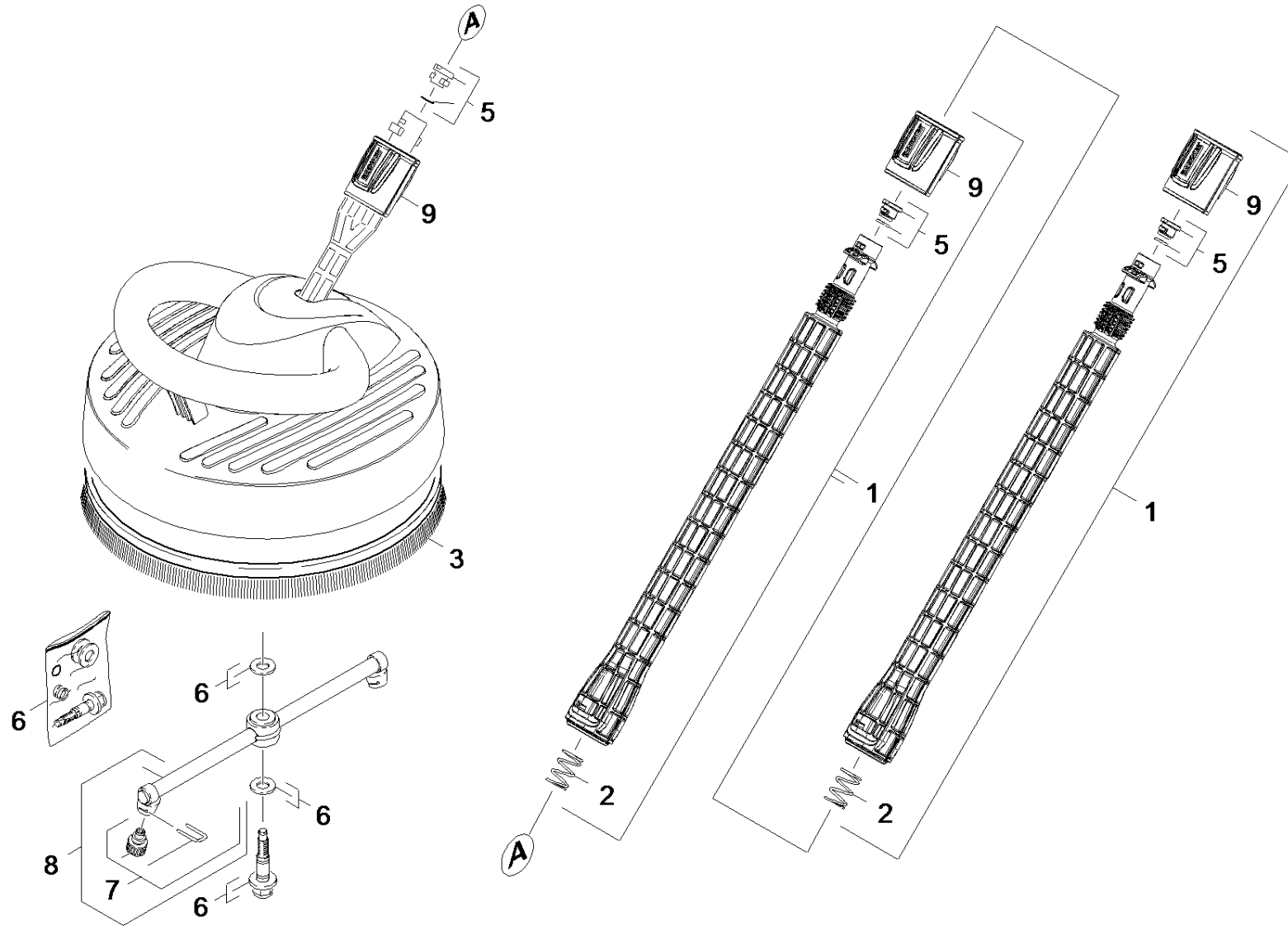


**2 Dirt blaster K2 0295 St (4.764-244.0)**

---

ET/VT (spare/wear parts)	Pos	Material #	Name	Qty.	Unit
X-X	1	2.640-729.0	O-Ring seal set	1.000	ST

---



#### 44 Surface cleaner

ET/VT (spare/wear parts)	Pos	Material #	Name	Qty.	Unit	from ser.nr.	up to ser.nr.	Footnote text
X-X	1	2.643-240.0	Single-step jet pipe extension	2.000	ST	0000000000	0000000000	
	2	5.332-464.0	Pressure spring	2.000	ST	0000000000	0000000000	
	3	6.371-086.0	Strip brush	1.000	ST	0000000000	0000000000	
X-X	5	2.640-729.0	O-Ring seal set	3.000	ST	0000000000	0000000000	
	6	2.883-994.0	Spare part set set of gaskets neutrally	1.000	ST	0000000000	0000000000	
X-X	7	2.640-727.0	Spare parts nozzles T-Racer 015	1.000	ST			GREY
	8	2.885-003.0	Spare part set rotor neutrally	1.000	ST			
	9	5.310-160.0	Nut Kaercher	3.000	ST	0000000000	0000000000	

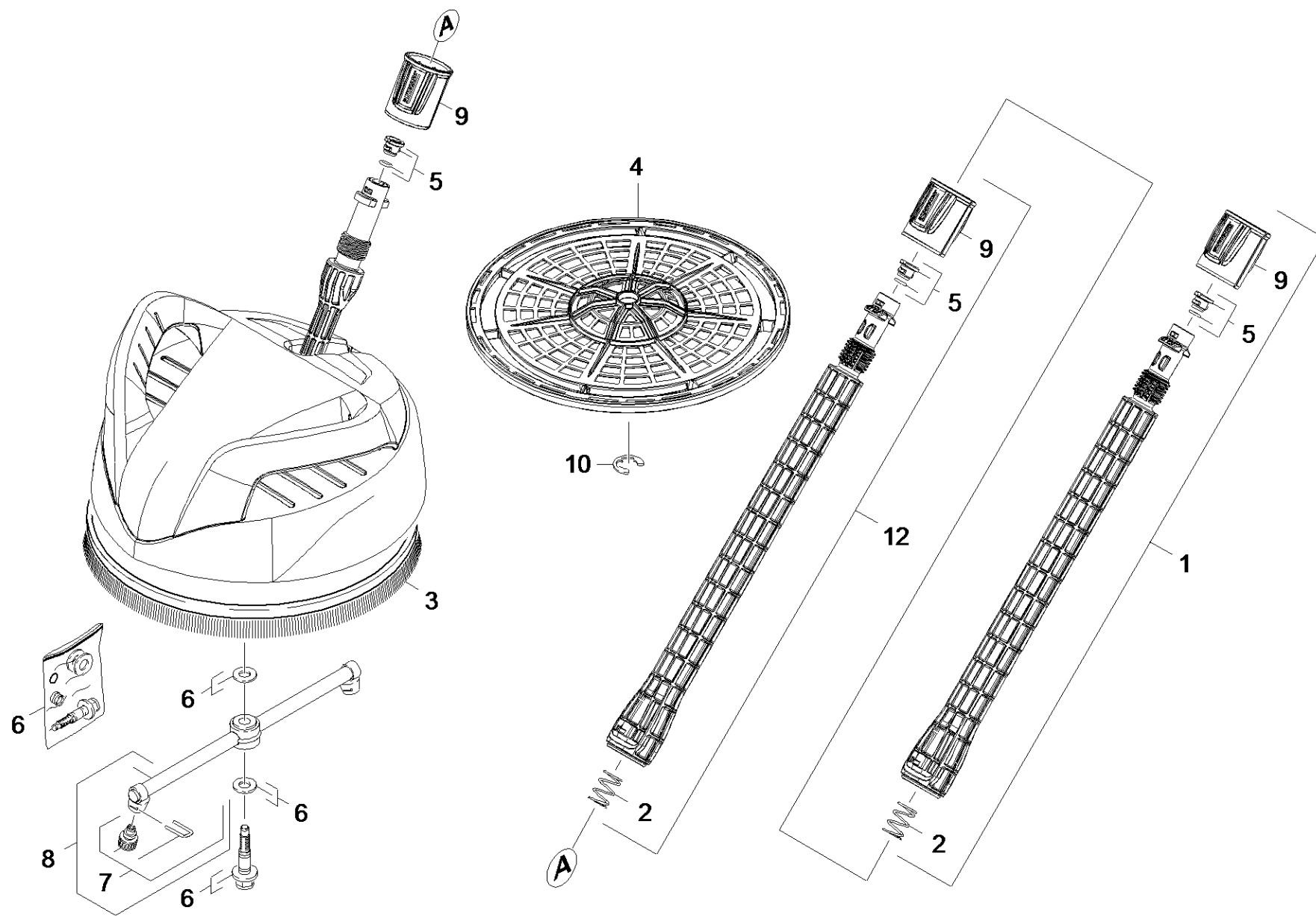


**1 Single-step jet pipe extension (2.643-240.0)**

---

ET/VT (spare/wear parts)	Pos	Material #	Name	Qty.	Unit
X-X	3	2.640-729.0	O-Ring seal set	1.000	ST
	8	5.332-464.0	Pressure spring	1.000	ST
	10	5.310-160.0	Nut Kaercher	1.000	ST

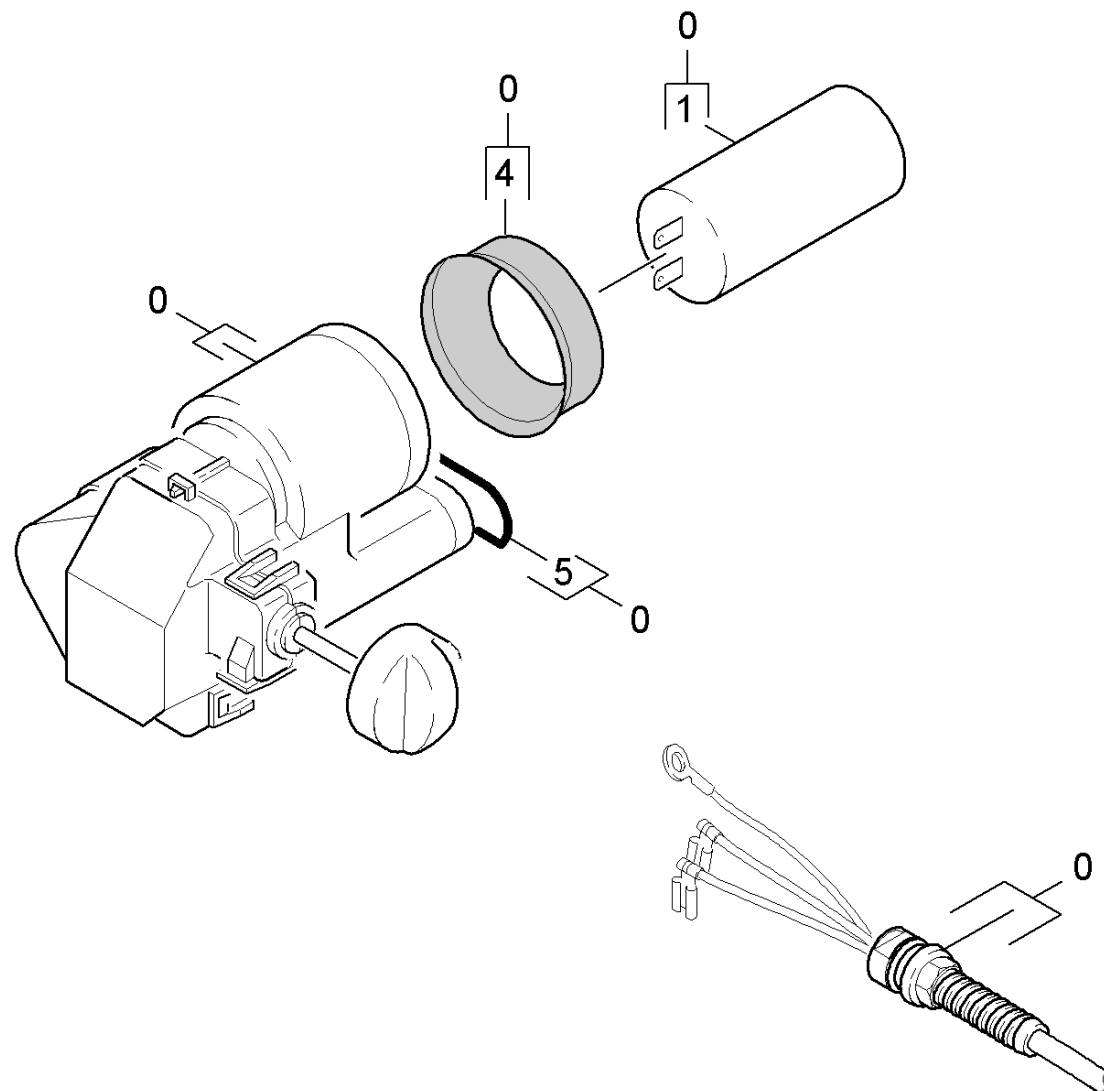
---





#### 45 Surface cleaner

ET/VT (spare/wear parts)	Pos	Material #	Name	Qty.	Unit	from ser.nr.	up to ser.nr.	Footnote text
X-X	1	2.643-240.0	Single-step jet pipe extension	1.000	ST	0000000000	0000000000	
	2	5.332-464.0	Pressure spring	2.000	ST	0000000000	0000000000	
	3	6.371-086.0	Strip brush	1.000	ST	0000000000	0000000000	
	4	5.394-865.0	Grate T 250 Plus	1.000	ST	0000000000	0000000000	
X-X	5	2.640-729.0	O-Ring seal set	3.000	ST	0000000000	0000000000	
	6	2.883-994.0	Spare part set set of gaskets neutrally	1.000	ST	0000000000	0000000000	
X-X	7	2.640-727.0	Spare parts nozzles T-Racer 015	1.000	ST	0000000000	0000000000	GREY
	8	2.885-003.0	Spare part set rotor neutrally	1.000	ST	0000000000	0000000000	
	9	5.310-160.0	Nut Kaercher	3.000	ST			
	10	7.343-206.0	Lock washer 12-2.1030 DIN 6799	1.000	ST			
	12	4.760-707.0	Jet pipe 0,4m *KNA	1.000	ST			



## 50 Electric box

ET/VT (spare/wear parts)	Pos	Material #	Name	Qty.	Unit
	0	9.755-086.0	Electric box complete replacement K5 fam	1.000	ST
Position text: 1.601-760.0 /-770.0 /-771.0 /-776.0/-800.0 /-900.0					
	0	9.755-080.0	Electric box complete replacement K3.450	1.000	ST
Position text: 1.601-773.0 ( 20mF )					
	0	9.755-079.0	Electric box complete replacement K3.450	1.000	ST
Position text: 1.601-773.0 ( 25mF )					
X-X	1	9.085-023.0	Capacitor 20mikroF H=70	1.000	ST
Position text: 1.601-773.0 ( 20mF )					
X-X	1	9.085-013.0	Capacitor 25mF	1.000	ST
Position text: 1.601-773.0 ( 25mF )					
	1	6.661-196.0	Capacitor 60µF	1.000	ST
Position text: 1.601-760.0 /-770.0 /-771.0 /-776.0/-800.0 /-900.0					
	4	9.760-118.0	Seal	1.000	ST
Position text: 1.601-760.0/-770.0/-771.0/-776.0/-800/-900.0 1.601-773.0 ( 25mF )					
	4	9.760-117.0	Seal	1.000	ST
Position text: 1.601-773.0 ( 20mF )					
	5	9.081-417.0	O-Ring d.20 x 2	1.000	ST